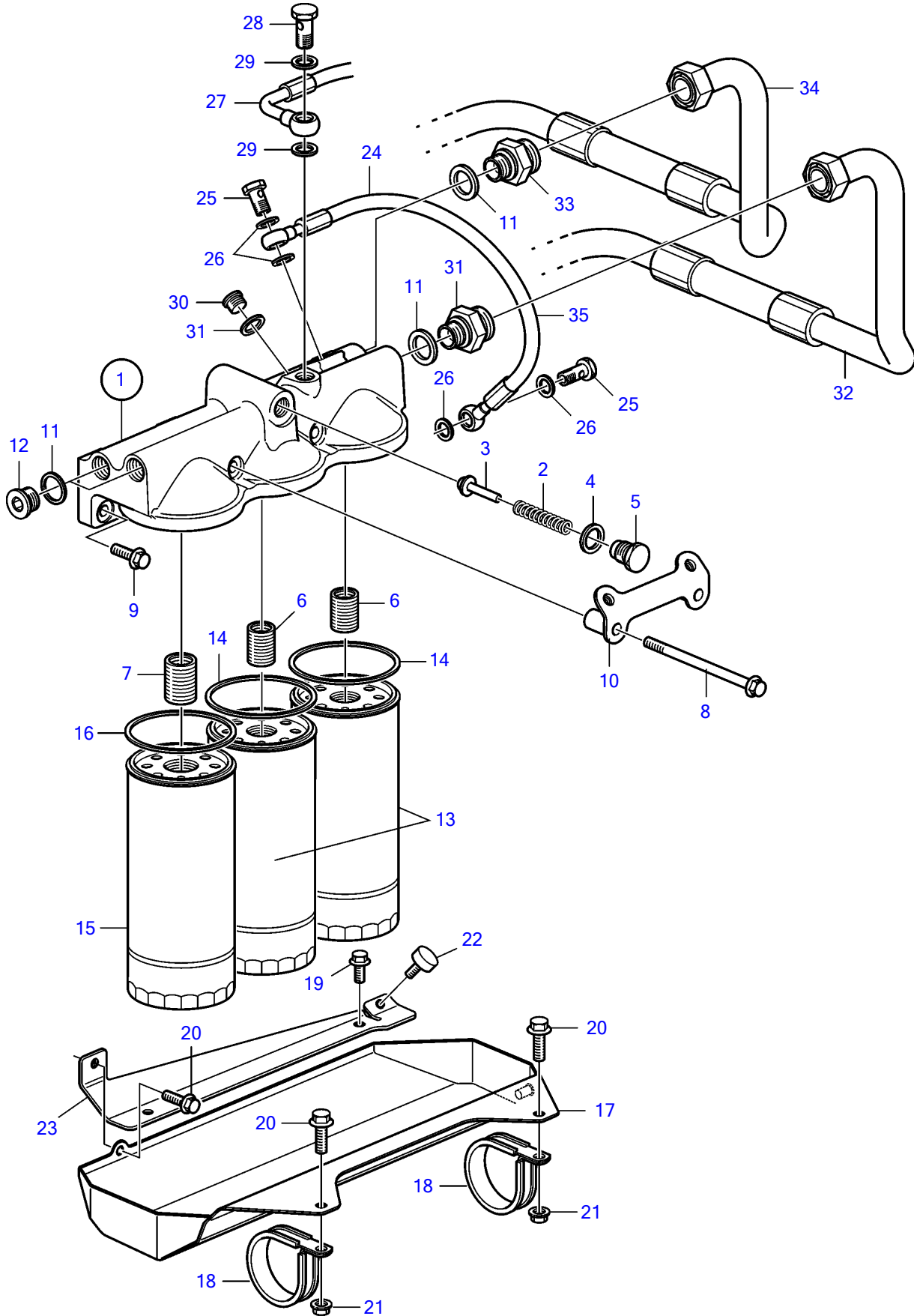


D13B-C MP, D13B-D MP



D13B-C MP, D13B-D MP

REF	PART NO.	QTY	DESCRIPTION
1	11127988	1	Oil filter housing
2	466653	1	• Compression spring
3	471085	1	• Valve cone
4	976932	1	• Gasket
5	471598	1	• Plug
6	466623	2	• Nipple
7	469904	1	• Nipple
8	973098	2	Flange screw
9	946472	2	Flange screw
10		1	Bracket
11	982508	4	Gasket
12	1698627	2	Plug
13	478736	2	Oil filter
14		1	• Gasket
15	477556	1	Oil filter, by-pass
16		1	• Gasket
17	21264885	1	Spill plate
18	20724640	2	Attaching clamp
19	946440	2	Flange screw
20	946173	2	Flange screw
21	945408	2	Flange nut
22	21275223	2	Rubber stop
23	21278480	1	Bracket
24	21382062	1	Oil hose
25	991048	2	Hollow screw
26	20852764	4	Sealing ring
27	21160750	1	Pressure hose, turbo
28	190713	1	Hollow screw
29	20852765	2	Sealing ring
30	984793	1	Plug
31		1	• O-ring
32	21175650	1	Oil pressure pipe
33	11158220	2	Adapter
34	21175652	1	Oil pressure pipe
35	21100007	1	Oil hose

7749490-22-36194

25321

Upd:2012-02-08